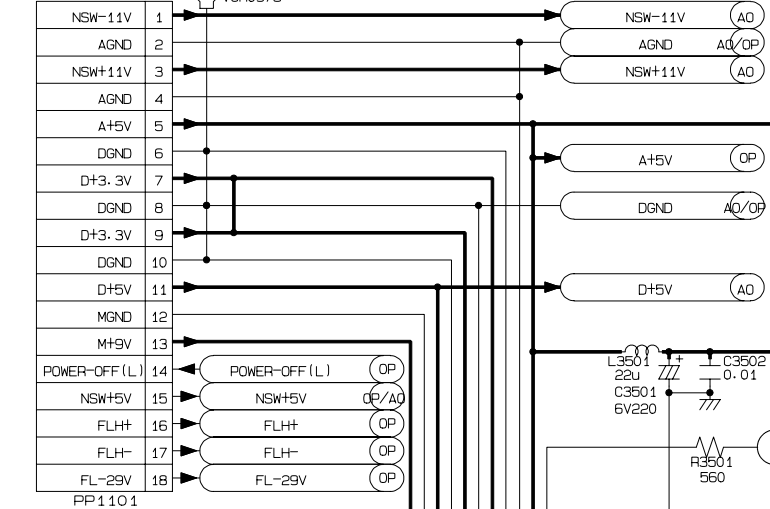


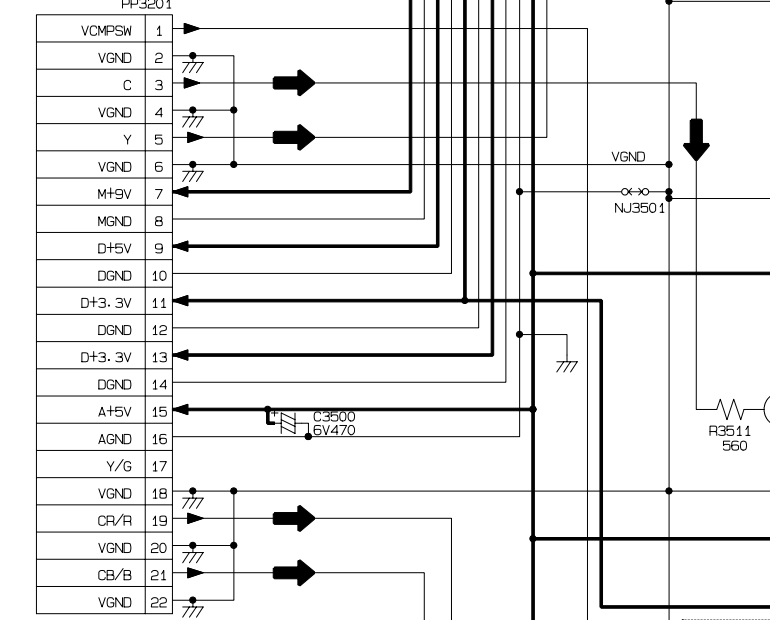
TO PS1101 POWER SUPPLY C.B.A. ZA3501 VJR0978



Ref. No. 23500-23699 VIDEO-out/mother(1/3)

← VIDEO SIGNAL

TO PS3201 MODULE C.B.A. (AVDEC) PP3201



NOTE: DO NOT USE THE PART NUMBER SHOWN ON THIS DRAWING FOR ORDERING. THE CORRECT PART NUMBER IS SHOWN IN THE PARTS LIST, AND MAY BE SLIGHTLY DIFFERENT OR AMENDED SINCE THIS DRAWING WAS PREPARED.

1 2 3 4 5 6 7 8 9 10

